

# iCON 15S eco

Stylish toilet and bathroom ventilation



## Key Features

- Low energy axial fan
- Flow rate up to 79 m<sup>3</sup>/hr
- Stylish, slim and unobtrusive in walls or ceilings
- Different colour covers available
- Unique iris shutter, prevents backdraughts, operates silently
- Interchangeable control modules match fan to installation requirements
- Low watt motor - 7.5w
- SFP 0.34 W/l/s
- Universal voltage 100/240v - 50/60Hz
- IPX4 rating
- Complies with Building Regulations
- 3 year warranty

## iCON 15S eco

iCON 15S eco 12 volt low energy fans with brushless DC motors offer significantly reduced energy consumption compared with standard AC motors. Fitted with ball-bearing motors for extra long life, each model is supplied with a remote mounting 100/240v AC to 12vDC transformer. Stylish, slim and unobtrusive in walls or ceilings. The circular design means no squaring up is required, adding to the already simple installation procedure.

iCON 15S eco is designed to provide ventilation levels that comply with the latest Building Regulations.

The iCON fan is an efficient, stylish and unique ventilation solution for the modern home. The shutter design makes switching on and off almost silent and helps reduce external noise ingress. The slim profile and iris shutter of the iCON make it a fan which will blend discreetly into any setting.



## Modules

72573603	Pull Cord
72574204	Pull Cord with adjustable Timer
72574202	Humidity, Pull Cord with Timer overrun
72574203	Motion Sensor with Timer overrun
72574201	Motion Sensor / Humidity / Timer
72682307	Delay Start Timer with Pull Cord

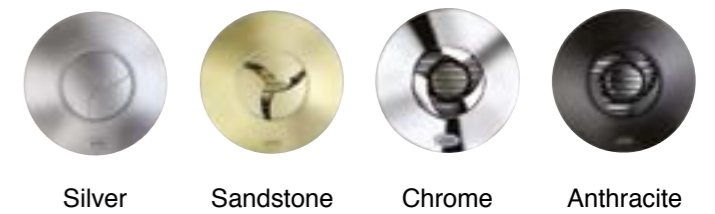


## Technical Data

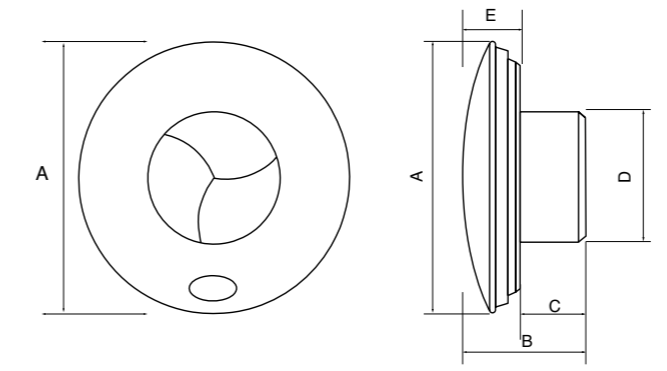
Specification	iCON 15S eco
Air flow m <sup>3</sup> /hr / l/sec	79 / 22
Fan type	Axial
Mounting	Wall / Ceiling
Sound pressure dB(A)@3m	30.3
Power watts	5.6
Specific Fan Power (SFP)	0.34
Building Regulations ADF	Yes
Duct diameter (mm)	100
Voltage	100/240v-50/60Hz
Rating	IPX4
Max ambient temperature	40°C
Weight (kg)	0.74
Dimensions (H x W x D) mm	197 x 197 x 40
Part No.	72683701

## Covers

52634504	Silver
52634505	Sandstone
52634502	Chrome
52634503	Anthracite

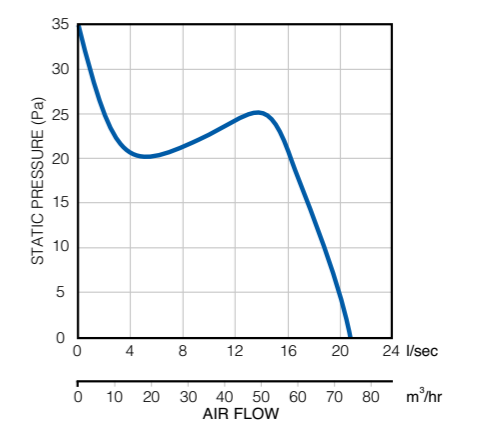


## Dimensions (mm)



Model	A	B	C	D	E
iCON 15S eco	197	85	67.5	100	40

## Performance



## Controls and Accessories

A range of accessories including flexible and rigid ducting kits, controls, switches and grilles are available.

See accessories for more details.